

# LION

PÖTTINGER power harrows







LION 303.12  
classic

PÖTTINGER



# Preparing the soil

Power harrows with working widths  
between 8.2 to 19.7' / 2.50 and 6 m

The rotary power harrow plays an important role in the PÖTTINGER arable farming concept. Best crumbling and excellent mixing of the soil are the highlights of PÖTTINGER power harrows. Combined with a PÖTTINGER seed drill, this machine becomes a high performance and cost-effective combination delivering perfect drilling results. PÖTTINGER offers tailor-made systems for every type of soil and every size of operation.

## Contents

	Page
LION technology details	4 – 13
LION 253 CLASSIC / 303 CLASSIC / 303.12 CLASSIC	14 – 15
LION 303 / 303.12 / 353.14 / 304	16 – 17
LION 3002 / 4002	18 – 21
LION 5000 / 6000	22 – 23
LION rear rollers	24 – 27
Technical data / Equipment	28 – 31

All information on technical data, dimensions, weights, output, etc. is approximate and is not binding.





# The rotor transmission

## The heart of the machine

Robust, smooth running and durable



**LION power harrows guarantee extremely smooth running and high strength. These machines operate reliably even in the hardest conditions and heaviest soil.**

### **Just take a look at this impressive technology**

- Thick-walled gear trough made of fine-grained steel – extremely resistant to twisting.
- Tapered front edge – soil can flow past unrestricted without bulldozing.
- Large gears feature integrated bearings. Extended inner splines for a secure seat on the rotor shaft.
- The bearing housings are welded to the central gusset and bottom of trough. An exact spacing between each rotor is guaranteed as a result.
- Robust tapered roller bearings in forged, single-piece bearing housings.
- The lower bearings are located as close as possible to the tine carrier, helping to reduce lateral stress.
- The upper and lower bearings are spaced as far apart as possible to reduce load and minimise stress.
- The forged, full-width tine carriers are integrated into casing. This offers the best protection against wrapping because the tines deflect the soil away from the gear trough. As a result stones cannot become trapped between the rotors.

### **Impressive driveline**

- 1.97" / 50 mm diameter rotor shafts on LION 103 series
- 2.36" / 60 mm diameter rotor shafts on LION 1002 series
- Bearings and gears run submerged in semi-liquid grease.
- Labyrinth rotor shaft seals.
- The tines are 0.71" / 18 mm thick and can be reversed to be used on both edges.
- 0.59" / 15 mm thick tines on LION 303.12 / LION 353.14 series
- Quick-fix tine replacement system optional.

LION 103 series **(1)**

LION 1002 series **(2)**

# LION

Quality



## LION – Precision in every detail

**Extended service life is only possible thanks to precision machining and strong construction. At PÖTTINGER this level of high quality goes without saying.**

### **Gear trough and tine mountings**

- The high-strength deep gear trough provides the gearbox with excellent torsional strength.
- Large toothed gears, 1.97 or 2.36" / 50 or 60 mm thick rotor shafts with heavy-duty tapered roller bearings and wide bearing spacing ensure durability.
- The deep gear trough is formed from a single piece of steel. The welded central gusset provides maximum stability.
- The bearing housings are welded into the box section before milling at the CNC machining centre. This ensures exact rotor-to-rotor spacing and guarantees you smooth-running and a long service life.
- Forged components from the PÖTTINGER hardening centre offer many years of reliability.

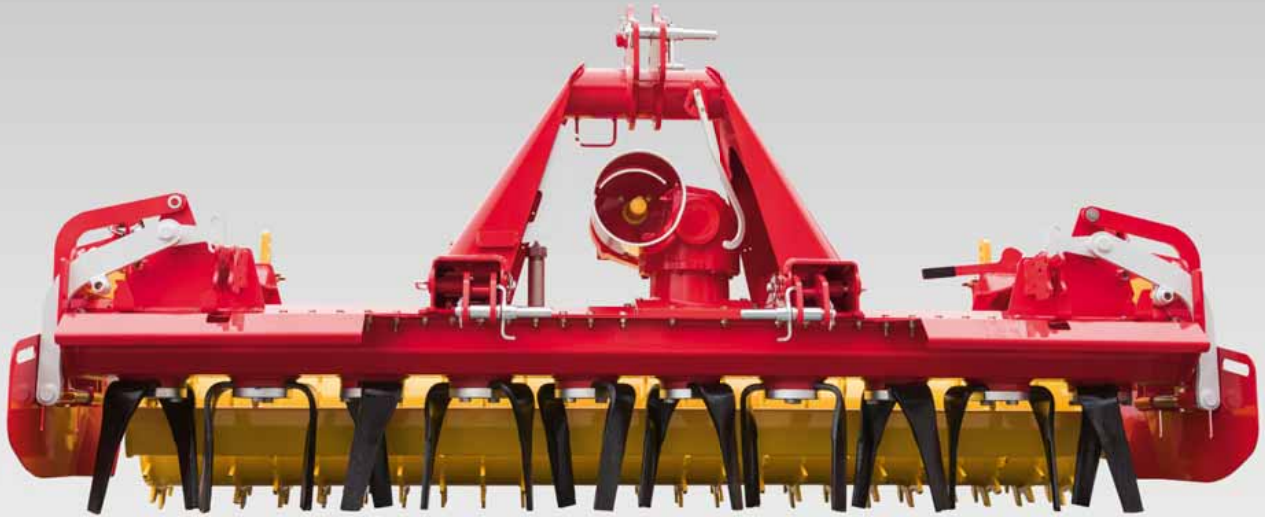


## Durable bearings

The bearings and gears are sealed and run submerged in semi-liquid grease. The tough bevel gears are made from tempered steel. The lower bearing is located close to the tine carrier. This takes the stress off the bearing and reduces wear.

- The shaft and bearing are protected by a labyrinth seal, which prevents loss of semi-liquid grease and at the same time ensures no dirt can penetrate.





## Tines hardened completely through

**The tines are the critical interface to the seedbed.**

**Penetration of the ground is optimised for the most uniform tilth.**

- LION power harrow tines are swept inwards and angled to the rear. As a result the soil near the surface is loosened and crumbled intensively. Larger clods remain lower down.
- The shape of the tine is designed for standard drilling, mulch drilling and direct mulch drilling.
- The 0.71 x 13.4" / 18 x 340 mm thick tines are made from hardened boron steel and are heat treated right through the complete cross section.
- The LION 303.12 / 353.14 features tines with dimensions of 0.59 x 13" / 15 x 330 mm.
- Both tines are seated securely in the recesses in the tine carrier. Two alignment pins keep the tines centered and they are secured using a clamping plate.
- Only two bolts are needed on each rotor. These can be loosened without chocking the rotors.

## DURASTAR tines – coated and proven in the field

- 60 % longer service life thanks to special hard wearing coating
- 0.59" / 15-mm and 0.71" / 18-mm-thick reversible tines
- Excellent retention of shape
- Consistent work quality



# LION

Technology at the highest level



## Quick-fix tines

**The rapid and reliable solution available as an option**

- Remove lynch pin and lock pin
- Remove tines
- Fit new tines
- Refit lock and lynch pin – finished!

## Universal tines for every operation

The tines can be positioned aggressively pointing forwards, or in a trailing position. Either position achieves excellent tilth at seed placement level.

**Sweeping position – for good crumbling effect at seed level**

- Finer soil is concentrated at the level of the seed. Larger clods and harvest residues remain on the surface to protect against erosion.

**Aggressive position – for breaking up the ground**

- Angled forwards the tine breaks up the soil from underneath for mulch drilling, mixing harvest trash well into the soil.
- Only possible with the 0.71" / 18 mm thick tines.







## Robust linkage

- The linkage is widely supported. Double-sided Category 2 and 3 free swinging lower linkage and three position adjustment are designed to bring the power harrow as close as possible to the tractor.
- On the LION 403 and 4002 the headstock is fitted with additional side struts.



## Gearbox versions

### LION variable speed gearbox (1)

LION 303, LION 303.12 up to 180 hp

LION 353.14, LION 403 up to 200 hp

LION 3002, LION 4002 up to 250 hp

Select the desired rotor speed by changing gear combinations. PTO shaft is only at a minimal angle with the input shaft placed well back. As a result smooth, quiet operation in the field and at headlands. Cam clutch protection ensures trouble free operation and gearbox cooling fins regulate gearbox oil temperature. A rear PTO shaft is available as an option.



### LION CLASSIC Fixed speed gearbox (2)

LION 253 CLASSIC, LION 303 CLASSIC, LION 303.12 CLASSIC

Straightforward fixed-speed gearbox rated up to 140 hp. The PTO shaft is kept at a minimal angle thanks to the input shaft being placed well back. Rear PTO shaft is not available on these models.

### LION lever change variable speed gearbox up to 270 hp

LION 5000, LION 6000



# LION

## Standard & Optional Equipment



### Side boards

#### **LION 253 CLASSIC, LION 303 CLASSIC, LION 303.12 CLASSIC**

Side boards can be folded upwards and feature depth adjustment using slotted holes. For transport these are simply folded upwards. Transport width less than 8.2 or 9.8' / 2.5 or 3.0 m.

#### **LION 303, LION 303.12, LION 403**

The height of the side boards is adjusted using slotted holes. These can be simply folded upwards during transport. A parallel linkage optional.

- Spring-protected side boards optional.
- Unique system: The spring does not need to be disengaged to fold up side boards.



### Levelling Board

The rear levelling board is standard and is set automatically with the depth of the rear roller – no readjustment is necessary. Consistent distance from the tines over the full working depth range thanks to linear guides on frame.

- Initial depth set using pin-in-hole adjustment.
- This is easily accessible from the side.

The front levelling board (optional) is identical to the rear board.

Optionally available are power harrow mounted bout markers (except CLASSIC models).

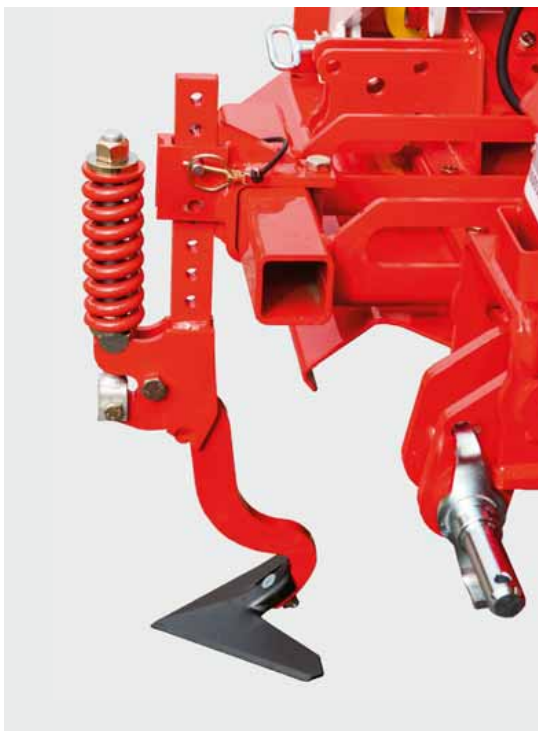






## Field-proven rear rollers

- Conveniently the scrapers can be adjusted from a central point as well as individually.
- A POTTINGER seed drill can be mounted directly to the rear roller and top link. The result is the seed drill and roller work as one follow ground contour changes exactly. Closely mounted to the roller scraper bar keeps overall length to a minimum.
- Coated hard wearing scrapers are standard on 19.68" / 500 and 21.65" / 550 mm tooth-packer roller, crumbling-packer roller, pack ring roller and rubber packer roller.



## Wheel track eradicators

Spring-mounted track eradicators are on all LION power harrows. These are spring-mounted to protect against stones and foreign objects. The working depth can be adjusted without using any tools.

# LION

## Mounting and linkage configurations



**Reducing costs is top priority in arable farming.  
Save money with a power harrow/seed drill combination.**

## HYDROLIFT

- Hydraulic mounting system for independent seed drills with eight and length adjustable linkage.
- Two hydraulic cylinders guarantee maximum lifting power up to 5290 lbs / 2.4 t for larger mounted seed drills.
- Lift height limiter optional.



## Implement mounted with a mechanical top link.

- VITASEM and AEROSEM seed drills from PÖTTINGER can easily be mounted.
- The centre of gravity is in front of the rear roller – very close to the tractor. The additional weight of the seed drill on the roller provides even better consolidating effect for the seedbed. The gap between the coulter rail and the rear roller is minimised to form a compact unit.
- The piggy-back drill is mounted on the packer roller and guided by the top link using a parallelogram so the packer and seed drill form a single unit. This enables the working depth of the power harrow to be changed by adjusting the roller without having to correct the seed drill top link.







### Piggy-back with hydraulic top link.

- A hydraulic cylinder is also available to pivot the seed drill up over the power harrow.
- Improved centre of gravity in relation to tractor.
- High ground clearance of drill coulters at headlands.









# LION 253 / 303 LION 303.12 CLASSIC

For tractors up to 140 hp.



With the **LION CLASSIC** series PÖTTINGER offers slightly lighter models compared to the standard LION power harrows. The **CLASSIC** version is available with working widths of 8.2' / 2.50 m with 8 rotors and 9.84' / 3 m with 10 or 12 rotors.

## Gearbox versions

### **CLASSIC gearbox up to 140 hp**

LION 253 CLASSIC, LION 303 CLASSIC, LION 303.12 CLASSIC

- PTO input shaft mounted far back, gearbox equipped with cooling fins.
- Fixed rotor speed.
- Rear PTO shaft not possible.

## Side boards

The height of the side boards is adjusted using slotted holes. These can be simply folded upwards during transport.







PÖTTINGER

www.poettinger.at

VITABON

LION 312

PÖTTINGER



# LION 303 / 403 LION 303.12 / 353.14

For tractors up to 180 hp / 200 hp



With the LION 103 series, PÖTTINGER offers models for tractors up to 200 hp. The LION 103 comes with working widths of 9.84' / 3 m, 11.48' / 3.5 m and 13.12' / 4 m.

#### Gearbox versions

##### LION changeable speed gearbox up to 180 hp / 200 hp

LION 303, LION 303.12 up to 180 hp,  
LION 353.14, LION 403 up to 200 hp.

- Proven changeable speed gearbox, variable rotor speed.
- PTO input shaft mounted far back, gearbox equipped with cooling fins.
- Rear PTO shaft available (optional).

#### Side plates

The height of the side boards is adjusted using slotted holes. These can be simply folded upwards during transport. Parallel linkage optional.

- Spring-protected side boards optional. Unique system: The spring does not need to be disengaged when folding the side boards upwards.



## LION 303.12 / 353.14

- These power harrows guarantee best results on heavy clay soils.
- It is the ideal choice for potato and vegetable farms.
- A very fine disengagement when folding the side boards upwards, is achieved because more tines are in use than on 10-rotor machines.
- Thanks to the interchangeable gears the rotor speed can be adjusted to suit any soil conditions and PTO shaft rpm.
- The LION 303.12 / 353.14 universal 0.59 x 13" / 15 x 330 mm tines are designed for a working depth down to 10.24" / 260 mm.
- The fully hardened tines ensure a long service life.









# LION 3002

# LION 4002

For tractors up to 250 hp



### **Proven top level performance up to 184 kW / 250 hp**

The machine for the professional with working widths of 9.84' / 3 m and 13.12' / 4 m. Proven technology for all soil conditions. You can rely on these LION models in the most demanding situations.

### **Sturdy gear trough and engineered tine mountings**

- The high-strength deep gear trough provides the gearbox with excellent torsional strength.
- Large toothed gears, 2.36" / 60 mm thick rotor shafts with heavy-duty tapered roller bearings and wide bearing spacing ensure a long service life.

### **Tough from the ground up**

The deep gear trough is formed from a single piece of steel. The welded central gusset provides additional stability. The bearing housings are welded into the box section with the central gusset before being milled on the CNC machining centre. This sequence ensures exact axis spacing between each rotor; The guarantee for extremely smooth running and a long service life.

# LION 3002 LION 4002

High performance power harrow technology



## For the toughest operating conditions

### Power harrow technology for the highest power class

- Robust wide headstock – with additional side struts on LION 4002.
- Clevis-type Category 2 and 3 free swinging lower linkage with three position adjustment are designed to match every tractor.
- The side boards are spring-mounted and can be raised.
- Parallel linkage optional.
- The gearbox features large cooling fins for maximum heat dissipation. A cam-type clutch is integrated into the PTO shaft to protect the transmission. Rear PTO shaft is also available.
- The large-dimensioned, heat-treated precision bevel gears are submerged in semi liquid grease. 2.36" / 60 mm thick rotor shafts with tapered roller bearings ensure durability. Cartridge sealing guarantees absolute leak-tightness of the gear trough.
- The forged, full-length tine carriers are integrated into casing. This offers best protection against wrapping because the tines work the soil away from the trough. Stones cannot become trapped between the rotors.
- Heat-treated tines are 71" / 18 mm thick for a working depth down to 11.02" / 280 mm.





## Professional kit

**Setting up for different soil conditions has to be quick and uncomplicated in this category. Well thought out details make adjustments more straightforward.**

- The rear levelling board is supplied as standard and is height-adjusted automatically by the rear roller – no manual adjustment required. Consistent distance from tines over full working depth thanks to linear guides on the frame. Initial depth is set using pin-in-hole adjustment – easily accessible at each end of the levelling board.
- The front levelling board (optional) is identical to the rear board.

### Spring-protected side boards

- Spring-mounted side plates are standard on the LION 3002 and 4002.
- Parallel linkage optional.
- These can be simply folded upwards during transport. Unique system: The spring does not need to be disengaged to fold up the side boards.





# LION 5000 LION 6000

For tractors up to 270 hp



## Folding series up to 199 kW / 270 hp

These power harrows with working widths of 16.40' / 5.0 m and 19.68' / 6.0 m can be folded up for road transport for a transport width of just 8.85' / 2.70 m.

## Power harrows for high output

- Category 3 Linkage.
- A robust hydraulic folding frame fitted with torsionally resistant gear troughs.
- Side drive shafts with cam-type clutch P 500 Powerline with long lubrication intervals. Main PTO shaft P 600 Powerline.
- 3-speed lever change gearbox for the best possible power transfer, a rear PTO shaft is standard.
- Heat treated bevel gears run submerged in semi-liquid grease. Quiet running, high quality durable gear train.
- Large dimensioned tapered roller bearings are held in single-piece bearing housings.
- Heat-treated tines 0.71" / 18 mm thick for a working depth down to 11.02" / 280 mm.
- The rear levelling boards are adjustable vertically and horizontally.

## Transport position

- Two large hydraulic cylinders fold each half of the power harrow through 90° for a transport width of just 8.85' / 2.7 metres.
- Thanks to the compact design, the centre of gravity is kept close to the tractor.







POTTINGER

140W 302



# LION

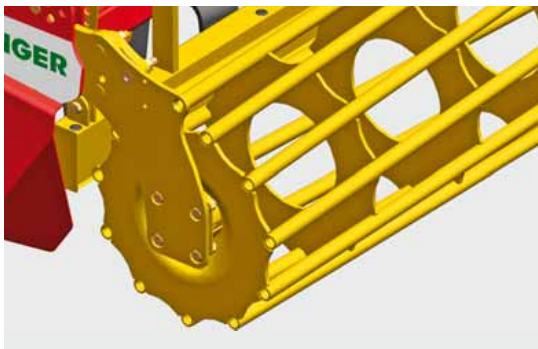
The right roller for all soil types

Type	Ground moisture			Soil characteristics		
	dry	medium	moist	light	medium	heavy
Cage roller	■	■	–	■	■	–
Toothed packer roller	■	■	■	■	■	■
Crumbling packer roller	■	■	–	■	■	■
Pack ring roller	■	■	■	■	■	■
Prism-packer roller	■	■	■	■	■	■
Rubber packer roller	■	■	■	■	■	■

Roller	8.2 ft / 2.5 m	9.8 ft / 3 m	9.8 ft / 3.5 m	13.1 ft / 4 m	16.4 ft / 5 m	19.7 ft / 6 m
	lbs / kg	lbs / kg	lbs / kg	lbs / kg	lbs / kg	lbs / kg
Cage roller 16.5 inch / 420 mm	326 / 148	430 / 195	–	–	–	–
Cage roller 21.3 inch / 540 mm	–	716 / 325	–	–	–	1433 / 650
Toothed packer roller 16.5 inch / 420 mm	732 / 332	805 / 365	–	–	–	–
Toothed packer roller 19.7 inch / 500 mm	977 / 443	1157 / 525	580	1322 / 600	1728 / 784	2028 / 920
Toothed packer roller 21.7 inch / 550 mm	–	1206 / 547	600	1521 / 690	–	2328 / 1056
Crumbling packer roller 20.7 inch / 525 mm	–	1146 / 520	–	1653 / 750	–	–
Pack ring roller 21.7 inch / 550 mm	1087 / 493	1213 / 550	655	1653 / 740	–	2425 / 1100
Prism-packer roller 19.7 inch / 500 mm 4.92 inch / 125 mm	–	1235 / 560	640	1620 / 735	–	–
Prism-packer roller 19.7 inch / 500 mm 5.91 inch / 15 mm	–	1168 / 530	–	1532 / 695	–	–
Rubber packer roller 23.0 inch / 585 mm	–	1268 / 575	–	–	–	–

# LION

## Rollers



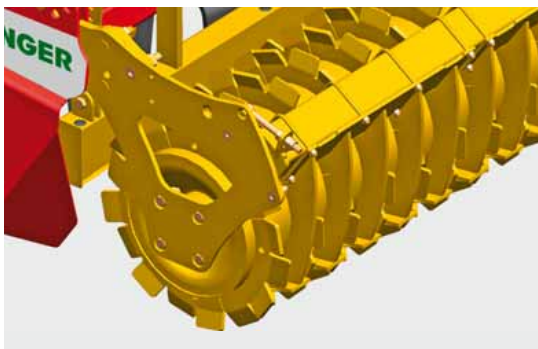
### **Cage roller**

The ideal roller for dealing with dry, non-sticky soils. The roller is fitted with strong bars for optimal consolidation. Diameter 16.5" / 420 mm, 8 bars, diameter 21.3" / 540 mm, 11 bars.



### **Toothed packer roller**

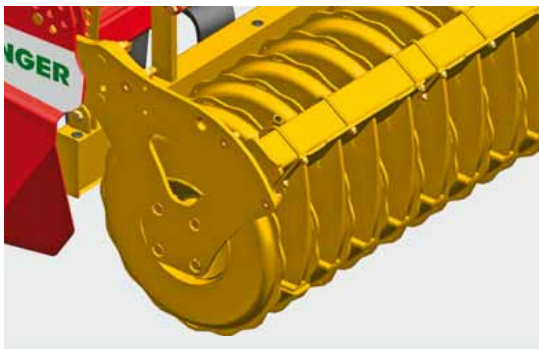
This roller is suitable for all types of soil. The roller leaves behind an optimum, re-packed seedbed with loose, fine soil at seed level. The scrapers are located just above surface level. That is why no earth clods can be lifted away, even in wet conditions, and a perfect capillary structure remains intact for optimum germination. The scrapers can be adjusted centrally and individually. They can simply be pivoted away for cleaning. The hardened scraper plates are reversible for double the service life. Roller diameter: 16.5", 19.7" and 21.7" / 420, 500 and 550 mm. The teeth are hardened right through. Case-hardened scrapers are also available.



### **Crumbling-packer roller**

The teeth are offset at an angle to the left and right. This roller is especially suitable for heavy, clay soils. The result is a deep packing effect with loose crumbling effect just under the surface. Scrapers prevent soil sticking to the roller. Diameter 21" / 525 mm. Case-hardened scrapers are standard.





#### **Pack ring roller**

The packer rings are fully enclosed and have a diameter of 21.7" / 550 mm with 8 rings per metre of working width. Due to the small hub diameter, the scrapers do not need to contact the roller or be adjusted. The roller produces a corrugated consolidation effect to promote water absorption and allow the soil to breathe. Ideal for stony, damp conditions and heavy organic residues. Harvest residues remain on the surface of the soil and protect the soil against drying out. Case-hardened scrapers are standard.



#### **Prism packer roller**

Prism rings are spaced at 4.92" or 5.9" / 125 or 150 mm. This roller handles all operating conditions, including stony ground and larger quantities of harvest trash. The striped formation of re-consolidation promotes water absorption and allows the soil that is subject to less consolidation in the gap between the rings to breathe. Case-hardened scrapers are standard.



#### **Rubber packer roller**

This roller is ideal for widely varied ground conditions. Specially designed for use with trailed equipment that when used with other rollers can be limited. A diameter of 23.03" / 585 mm and the special profiling allows the soil to be consolidated in rows. Case-hardened scrapers are standard.

# LION

## Technical data



	Mounting	Working width	Transport width	Rotor	Working depth
<b>103 CLASSIC series – lighter weight power harrows</b>					
LION 253 CLASSIC	Cat. 2 and 3	8.20 ft / 2.5 m	8.20 ft / 2.5 m	8	11.02 inch / 280 mm
LION 303 CLASSIC	Cat. 2 and 3	9.84 ft / 3.0 m	9.84 ft / 3.0 m	10	11.02 inch / 280 mm
LION 303.12 CLASSIC	Cat. 2 and 3	9.84 ft / 3.0 m	9.84 ft / 3.0 m	12	10.24 inch / 260 mm
<b>103 series – robust and cost-effective power harrows</b>					
LION 303	Cat. 2 and 3	9.84 ft / 3.0 m	9.84 ft / 3.0 m	10	11.02 inch / 280 mm
LION 303.12	Cat. 2 and 3	9.84 ft / 3.0 m	9.84 ft / 3.0 m	12	10.24 inch / 260 mm
LION 353.14	Cat. 2 and 3	11.48 ft / 3.50 m	11.48 ft / 3.50 m	14	10.24 inch / 260 mm
LION 403	Cat. 2 and 3	13.12 ft / 4.0 m	13.12 ft / 4.0 m	14	11.02 inch / 280 mm
<b>1002 series – professional class for the toughest conditions</b>					
LION 3002	Cat. 2 and 3	9.84 ft / 3.0 m	9.84 ft / 3.0 m	10	11.02 inch / 280 mm
LION 4002	Cat. 2 and 3	13.12 ft / 4.0 m	13.12 ft / 4.0 m	14	11.02 inch / 280 mm
<b>1000 series – machines for high outputs</b>					
LION 5000	Cat. 3	16.40 ft / 5.0 m	8.86 ft / 2.7 m	16	11.02 inch / 280 mm
LION 6000	Cat. 3	19.69 ft / 6.0 m	8.86 ft / 2.7 m	20	11.02 inch / 280 mm

Weight with	Cage roller	Cage roller	Toothed packer roller	Toothed packer roller	Toothed packer roller
Roller diameter	16.53 inch / 420 mm	21.52 inch / 540 mm	16.53 inch / 420 mm	19.68 inch / 500 mm	21.65 inch / 550 mm
LION 253 CLASSIC	2328 lbs / 1056 kg	–	2733 lbs / 1240 kg	2972 lbs / 1348 kg	–
LION 303 CLASSIC	2679 lbs / 1215 kg	2965 lbs / 1345 kg	3053 lbs / 1385 kg	3406 lbs / 1545 kg	3455 lbs / 1567 kg
LION 303.12 CLASSIC	2656 lbs / 1205 kg	2943 lbs / 1335 kg	3031 lbs / 1375 kg	3384 lbs / 1535 kg	3433 lbs / 1557 kg
LION 303	2789 lbs / 1265 kg	3075 lbs / 1395 kg	3164 lbs / 1435 kg	3516 lbs / 1595 kg	3565 lbs / 1617 kg
LION 303.12	2755 lbs / 1250 kg	3053 lbs / 1385 kg	3142 lbs / 1425 kg	3494 lbs / 1585 kg	3543 lbs / 1607 kg
LION 353.14	–	–	–	3902 lbs / 1770 kg	3946 lbs / 1790 kg
LION 403	–	–	–	4188 lbs / 1900 kg	4387 lbs / 1990 kg
LION 3002	–	3340 lbs / 1515 kg	–	3781 lbs / 1715 kg	3829 lbs / 1737 kg
LION 4002	–	–	–	4516 lbs / 2050 kg	4718 lbs / 2140 kg
LION 5000	–	–	–	6336 lbs / 2874 kg	–
LION 6000	–	6431 lbs / 2917 kg	–	7026 lbs / 3187 kg	7325 lbs / 3323 kg





Tines	Recommended PTO speed	Rotor Speed Standard	For tractors up to	Weight without roller
0.71 x 13.4 inch / 18 x 340 mm	1000 rpm	342 rpm	103 kW / 140 hp	1973 lbs / 908 kg
0.71 x 13.4 inch / 18 x 340 mm	1000 rpm	342 rpm	103 kW / 140 hp	2281 lbs / 1020 kg
0.59 x 13 inch / 15 x 330 mm	1000 rpm	342 rpm	103 kW / 140 hp	2226 lbs / 1010 kg
0.71 x 13.4 inch / 18 x 340 mm	1000 rpm	342 / 527 rpm	132 kW / 180 hp	2402 lbs / 1070 kg
0.59 x 13 inch / 15 x 330 mm	1000 rpm	342 / 527 rpm	132 kW / 180 hp	2369 lbs / 1060 kg
0.59 x 13 inch / 15 x 330 mm	1000 rpm	342 / 527 rpm	147 kW / 200 hp	2623 lbs / 1190 kg
0.71 x 13.4 inch / 18 x 340 mm	1000 rpm	342 / 527 rpm	147 kW / 200 hp	2876 lbs / 1300 kg
0.71 x 13.4 inch / 18 x 340 mm	1000 rpm	342 / 527 rpm	184 kW / 250 hp	2614 lbs / 1190 kg
0.71 x 13.4 inch / 18 x 340 mm	1000 rpm	342 / 527 rpm	184 kW / 250 hp	3130 lbs / 1450 kg
0.71 x 13.4 inch / 18 x 340 mm	1000 rpm	215 / 296 / 393 rpm	199 kW / 270 hp	4607 lbs / 2090 kg
0.71 x 13.4 inch / 18 x 340 mm	1000 rpm	215 / 296 / 393 rpm	199 kW / 270 hp	4997 lbs / 2267 kg
<b>Crumbling packer roller</b>	<b>Pack ring roller</b>	<b>Prism packer roller</b> 4.92 inch / 125 mm	<b>Prism packer roller</b> 5.90 inch / 150 mm	<b>Rubber packer roller</b>
20.66 inch / 525 mm	21.65 inch / 550 mm	19.68 inch / 500 mm	19.68 inch / 500 mm	23.03 inch / 585 mm
–	3088 lbs / 1401 kg	–	–	–
3395 lbs / 1540 kg	3461 lbs / 1570 kg	3483 lbs / 1580 kg	3417 lbs / 1550 kg	3516 lbs / 1595 kg
3373 lbs / 1530 kg	3439 lbs / 1560 kg	3461 lbs / 1570 kg	3395 lbs / 1540 kg	3494 lbs / 1585 kg
3505 lbs / 1590 kg	3571 lbs / 1620 kg	3593 lbs / 1630 kg	3527 lbs / 1600 kg	3626 lbs / 1645 kg
3483 lbs / 1580 kg	3549 lbs / 1610 kg	3571 lbs / 1620 kg	3505 lbs / 1590 kg	3604 lbs / 1635 kg
–	4067 lbs / 1845 kg	4034 lbs / 1830 kg	–	–
4541 lbs / 2060 kg	4497 lbs / 2040 kg	4486 lbs / 2035 kg	4398 lbs / 1995 kg	–
3770 lbs / 1710 kg	3836 lbs / 1740 kg	3858 lbs / 1750 kg	3792 lbs / 1720 kg	3891 lbs / 1765 kg
4850 lbs / 2200 kg	4828 lbs / 2190 kg	4817 lbs / 2185 kg	4729 lbs / 2145 kg	–
–	–	–	–	–
–	7423 lbs / 3367 kg	–	–	–

# LION

## Standard & Optional Equipment



**Quick-change tines**



**DURASTAR tines**



**Front levelling board**

	<input type="checkbox"/>	<input type="checkbox"/>	<input type="checkbox"/>
LION 253 / 303 / 303.12 CLASSIC	<input type="checkbox"/>	<input type="checkbox"/>	<input type="checkbox"/>
LION 303 / 303.12	<input type="checkbox"/>	<input type="checkbox"/>	<input type="checkbox"/>
LION 353.14 / 403	<input type="checkbox"/>	<input type="checkbox"/>	<input type="checkbox"/>
LION 3002 / 4002	<input type="checkbox"/>	<input type="checkbox"/>	<input type="checkbox"/>
LION 5000 / 6000	<input type="checkbox"/>	<input type="checkbox"/>	-



**Bout markers**



**Spring-mounted wheel track eradicators**

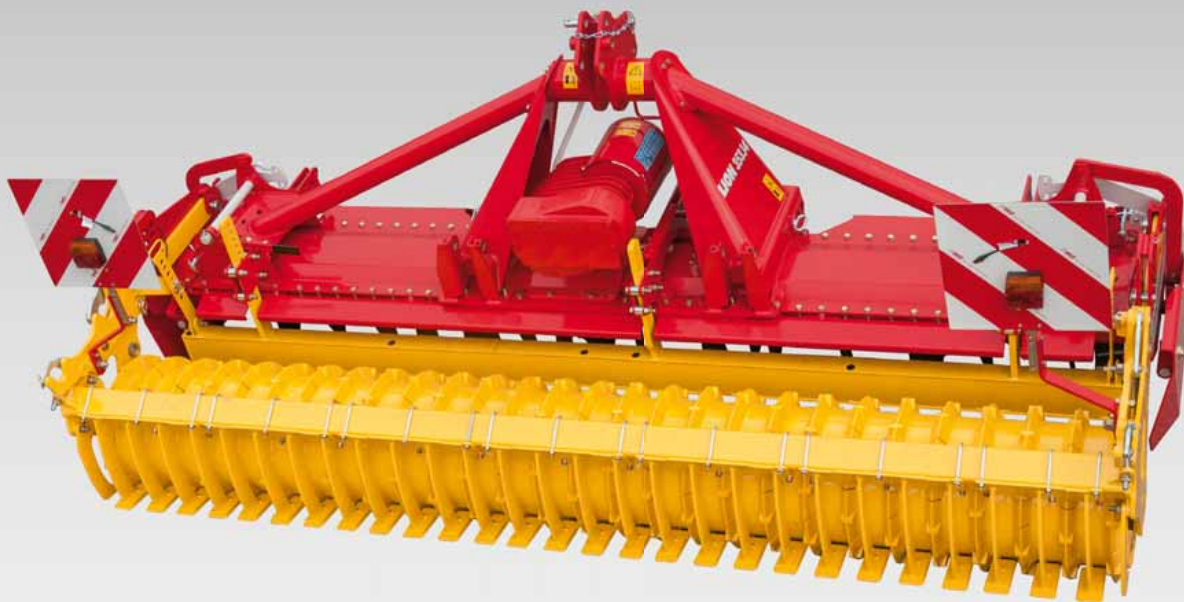


**Warning signs and lighting**

	-	<input type="checkbox"/>	<input type="checkbox"/>
LION 253 CLASSIC	-	-	<input type="checkbox"/>
LION 303 / 303.12 CLASSIC	-	<input type="checkbox"/>	<input type="checkbox"/>
LION 303 / 303.12	<input type="checkbox"/>	<input type="checkbox"/>	<input type="checkbox"/>
LION 353.14 / 403	<input type="checkbox"/>	<input type="checkbox"/>	<input type="checkbox"/>
LION 3002 / 4002	<input type="checkbox"/>	<input type="checkbox"/>	<input type="checkbox"/>
LION 5000 / 6000	-	<input type="checkbox"/>	<input type="checkbox"/>

■ = standard, □ = optional





**Spring loaded side boards**

**Parallel lift side boards**

**HYDROLIFT for independent seed drills**

**Mounting brackets for roller mounted drills**

**Rear PTO Shaft**

-	-	<input type="checkbox"/>	<input type="checkbox"/>	-
<input type="checkbox"/>	<input type="checkbox"/>	<input type="checkbox"/>	<input type="checkbox"/>	<input type="checkbox"/>
<input type="checkbox"/>	<input type="checkbox"/>	<input type="checkbox"/>	<input type="checkbox"/>	<input type="checkbox"/>
■	<input type="checkbox"/>	<input type="checkbox"/>	<input type="checkbox"/>	<input type="checkbox"/>
<input type="checkbox"/>	<input type="checkbox"/>	-	-	-

## More equipment options

- PTO shaft 1 3/4" 6-spline
- PTO shaft 1 3/8" 21-spline
- Lift limiter for HYDROLIFT



# PÖTPRO

**Your machine goes online.**

All the information on your machine  
**easily – anytime – anywhere**

Simply scan the QR code on the **data plate** with your smartphone or tablet or enter your machine number at [www.poettinger.at/poetpro](http://www.poettinger.at/poetpro). You will immediately receive all the information on your machine.

- Operating instructions
- Optional equipment information
- Brochures
- Photos and videos



# Original *inside*

## **PÖTTINGER Spare parts service**

- Worldwide network of sales and service partners.
- Decades of spare and wear parts availability.
- Original PÖTTINGER parts can be ordered online around the clock.

### **PÖTTINGER Landtechnik GmbH**

Industriegelände 1  
4710 Grieskirchen  
Austria  
Phone +43 7248 600-0  
Fax +43 7248 600-2511  
[info@poettinger.at](mailto:info@poettinger.at)  
[www.poettinger.at](http://www.poettinger.at)

### **POETTINGER US, Inc.**

393 Pilot Drive  
Valparaiso, IN 46383  
USA  
Phone +1 219 510-5534  
Fax + 1 219 707-5412  
[sales.us@poettinger.us](mailto:sales.us@poettinger.us)  
[www.poettinger.us](http://www.poettinger.us)

### **Importer for New Zealand:**

**Origin Agroup**  
PO Box 673, 57 Hautapu Road  
Cambridge  
New Zealand  
Phone +64 7 823 7582  
[info@originagroup.co.nz](mailto:info@originagroup.co.nz)  
[www.originagroup.co.nz](http://www.originagroup.co.nz)

### **Alois PÖTTINGER UK Ltd.**

15 St Marks Road, Corby  
Northamptonshire,  
NN18 8AN  
United Kingdom  
Phone + 44 1536 272 220  
[info.uk@pottingeruk.co.uk](mailto:info.uk@pottingeruk.co.uk)  
[www.pottingeruk.co.uk](http://www.pottingeruk.co.uk)

### **POETTINGER Australia PTY LTD**

15 Fordson Road  
Campbellfield, VIC 3061  
Australia  
Phone +61 3 9359 2969  
[sales.au@poettinger.com.au](mailto:sales.au@poettinger.com.au)  
[www.poettinger.com.au](http://www.poettinger.com.au)

### **Importer for South Africa:**

**VALTRAC**  
Cnr. Water & Buiten Street  
9585 Parys  
South Africa  
Phone +27 56 817 7338 7308  
[wynn@valtrac.co.za](mailto:wynn@valtrac.co.za)  
[www.valtrac.co.za](http://www.valtrac.co.za)

### **POETTINGER Canada Inc.**

650, Route 112  
St-Cesaire, PQ J0L 1T0  
Canada  
Phone +1 450 469 5594  
Fax +1 866 417 1683  
[sales.canada@poettinger.ca](mailto:sales.canada@poettinger.ca)  
[www.poettinger.ca](http://www.poettinger.ca)

### **POETTINGER Ireland Ltd.**

Industrial Estate  
Cashel Rd., Clonmel, Co. Tipperary  
Ireland  
Phone +353 52 6125766  
[info.ie@poettinger.at](mailto:info.ie@poettinger.at)  
[www.poettinger.ie](http://www.poettinger.ie)

