

# FOX

PÖTTINGER Seedbed preparation



# Clever seedbed preparation

FOX / FOX D



Our newly developed FOX and FOX D compact combinations deliver smooth-running, fuel-saving seedbed preparation. Combined with PÖTTINGER seed drills, this implement becomes a cost-effective 3-point-mounted mulch drill combo.

## Your advantages at a glance

- Low drag resistance, fuel-saving seedbed preparation
- High working speed
- Short and compact design for optimum centre of gravity
- Compact combination with harrow tines (FOX) or discs (FOX D)
- Mulch drill combination with PÖTTINGER seed drills

## Low drag resistance saves fuel

During the development of the PÖTTINGER short combinations, great attention was paid to compact dimensions and low drag resistance. This allows the use of smaller tractors and provides both a fuel-efficient and effective seedbed preparation.

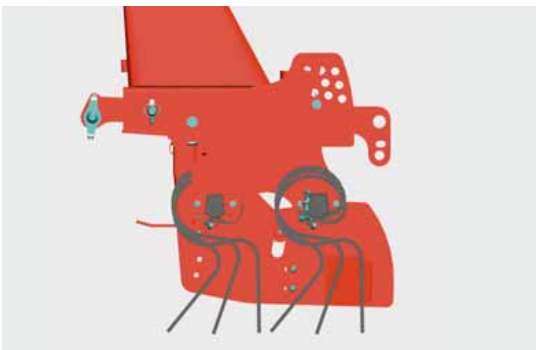
## Easy to adjust

The short headstock offers 3 positions on the extendable lower linkage arms. This enables the addition of frontal tools. There are also two top link positions to simplify the adjustment to fit any tractor to fit any tractor.



## FOX disc tool

With the FOX D the discs take over the preparation of the soil. These are mounted on rubber elements and are depth adjustable for use in slightly stony soils. The discs have a diameter of 16" / 410 mm and are mounted on maintenance-free bearings.



## FOX harrow tines

The FOX is equipped with 2 rows of harrow tines for a finely-crumbled seedbed. The tines can be adjusted in 3 positions and are particularly suitable for light to medium soils and low levels of crop residues.

## Fast sowing

In combination with a PÖTTINGER seed drill, this implement becomes a cost-effective 3-point-mounted seed drill combo. The drill is mounted either on the packer roller or on the hitch.

FOX	Working width	Transport width	Tools	Tool spacing	Working depth	Minimum power
FOX 300	9.84' / 3,0 m	9.84' / 3,0 m	19	6.10" / 155 mm	1.18" - 3.15" / 30 – 80 mm	55 kW / 75 hp
FOX 350	11.48' / 3.5 m	11.48' / 3.5 m	23	6.10" / 155 mm	1.18" - 3.15" / 30 – 80 mm	66 kW / 90 hp
FOX 400	13.12' / 4.0 m	13.12' / 4.0 m	25	6.10" / 155 mm	1.18" - 3.15" / 30 – 80 mm	74 kW / 100 hp
FOX 300 D	9.84' / 3.0 m	9.84' / 3.0 m	22	5.11" / 130 mm	1.18" - 3.15" / 30 – 80 mm	55 kW / 75 hp
FOX 350 D	11.48' / 3.5 m	11.48' / 3.5 m	26	5.11" / 130 mm	1.18" - 3.15" / 30 – 80 mm	66 kW / 90 hp
FOX 400 D	13.12' / 4.0 m	13.12' / 4.0 m	30	5.11" / 130 mm	1.18" - 3.15" / 30 – 80 mm	74 kW / 100 hp

NEW



# The wider alternative

## FOX 350 / FOX 400

The lightweight mounted machine is ideal for use in light to medium soils with low levels of harvest residues. Thanks to its capability to be combined with a seed drill, the FOX compact combination is a real multi-talent. The result is a cost-effective mulch drilling combination.



### High output compact combinations

- More productivity with wider working widths
- FOX 350 with 11.84 ft / 3.5 m working width
- FOX 400 with 13.12 ft / 4 m working width

### Versatile applications

- Solo for mixing harvest residues into the soil
- Combined with a PÖTTINGER seed drill to form a cost-effective seed drill combination.
- Can be combined with VITASEM, VITASEM A and AEROSEM



	Working transport width ft / m	Tines	Tine spacing inch / mm	Working depth inch / mm	Power requirement from
FOX 350	11.84 / 3.5	23	6.10 / 155	1.18 – 3.14 / 30 – 80	66 kW / 90 hp
FOX 400	13.12 / 4.0	25	6.10 / 155	1.18 – 3.14 / 30 – 80	74 kW / 100 hp



# Applying and mixing in slurry

## FOX 300 D / 350 D / FOX 400 D

Combined with a slurry application system, the FOX D becomes a real all-rounder. Slurry can be distributed and immediately worked in during a single pass. Effective and efficient work is guaranteed.



### Quick and effective slurry application

- FOX D compact combinations can be equipped with a slurry application kit (Vogelsang)
- Slurry applied and worked in during a single pass
- FOX 300 D, FOX 350 D, FOX 400 D are mounted on the slurry tanker's three-point hitch
- Smooth running and blockage-free operation



### Working in slurry with the FOX D to avoid nitrogen loss

- Simultaneous slurry application and working in saves time and costs
- Worked in within four hours inline with regulations
- Protects soil due to fewer passes
- Significantly lower nutrient losses
- Lower ammonia emissions
- Reduction in aroma

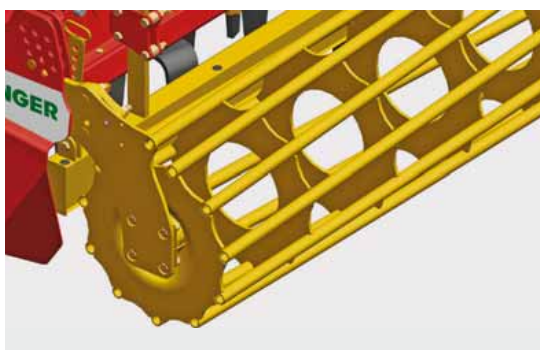
	Working, transport width ft / m	Discs	Disc spacing inch / mm	Working depth inch / mm	Power requirement from
FOX 350 D	311.84 / 3.5	26	5.11 / 130	1.18 – 3.14 / 30 – 80	66 kW / 90 hp
FOX 400 D	13.12 / 4.0	30	5.11 / 130	1.18 – 3.14 / 30 – 80	74 kW / 100 hp

D = disc



## Rear rollers for LION

PÖTTINGER offers a wide range of rear rollers for perfect results with the desired tilth in any type of soil. The whole range of rollers features precision manufacturing and robust design engineering.



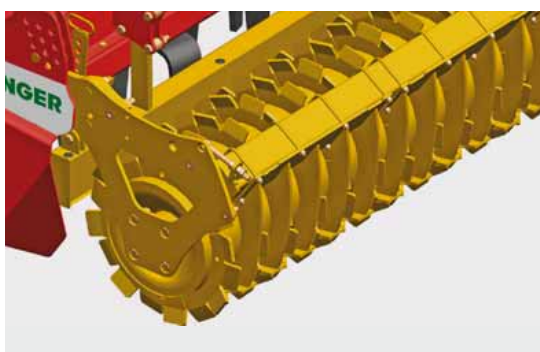
### **Cage roller**

The ideal roller for dealing with dry, non-sticky soils. The roller is fitted with strong bars for optimal consolidation.  
 Diameter: 16.5 inch / 420 mm, eight bars  
 Diameter: 21.3 inch / 540 mm, eleven bars



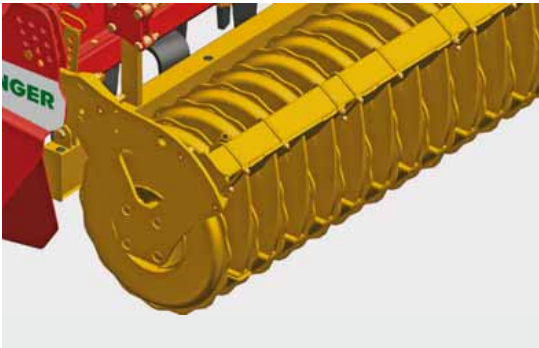
### **Tooth-packer roller**

This all-rounder is suitable for all types of soil. The roller leaves behind an optimum, re-consolidated seedbed with loose, fine soil at seed level. The scrapers are located just above surface level. This ensures no clods can be lifted away, even in wet conditions ensuring a perfect capillary structure remains intact for optimum germination. The packer teeth are completely hardened and coated scrapers are available as an option.  
 Diameter: 16.5, 19.7 and 21.7 inch / 420, 500 and 550 mm



### **Crumbling packer roller**

The packer teeth are offset at an angle to the left and right. This roller is especially suitable for heavy, clay soils. The result is a deep consolidation effect with loose crumbling effect just under the surface. Coated scrapers are standard and help prevent soil sticking to the roller.  
 Diameter: 20.7 inch / 525 mm



#### **Pack Ring roller**

The packer rings are completely enclosed and have a diameter of 21.7 inch / 550 mm with eight rings per metre of working width. The roller produces a corrugated consolidation effect to promote water absorption and allow the soil to breathe. Ideal for stony, damp conditions and heavy organic residues. Harvest residues remain on the surface of the soil and protect the soil against drying. Coated scrapers are standard and help prevent soil sticking to the roller.



#### **Prism-packer roller**

The Prism rings are spaced at 4.92 inch / 12.5 mm or 5.9 inch / 150 mm. This roller handles all operating conditions, including stony ground and larger quantities of harvest trash. The striped formation of re-consolidation promotes water absorption and breathability of the soil that is subject to less compaction in the gap between the rings. Coated scrapers are standard and help prevent soil sticking to the roller.



#### **Rubber packer roller**

This roller is ideal for widely varying ground conditions. A diameter of 23 inch / 585 mm combined with the special profiling allows the soil to be compacted in rows. Coated scrapers are standard and help prevent soil sticking to the roller.



# PÖTTERPRO

**Your machine goes online.**

All the information on your machine  
**easily – anytime – anywhere**

Simply scan the QR code on the **data plate** with your smartphone or tablet or enter your machine number at [www.poettinger.at/poetterpro](http://www.poettinger.at/poetterpro). You will immediately receive all the information on your machine.

- Operating instructions
- Optional equipment information
- Brochures
- Photos and videos



# Original *inside* **24** hours service

- Worldwide network of sales and service partners.
- Decades of spare and wear parts availability.
- Original PÖTTERING parts can be ordered online around the clock.

**Alois PÖTTERING**  
**Maschinenfabrik GmbH**  
Industriegelände 1  
4710 Grieskirchen  
Austria  
Phone +43 7248 600-0  
Fax +43 7248 600-2511  
[info@poettinger.at](mailto:info@poettinger.at)  
[www.poettinger.at](http://www.poettinger.at)

**Alois PÖTTERING UK Ltd.**  
15 St Marks Road, Corby  
Northamptonshire,  
NN18 8AN  
United Kingdom  
Phone +44 844 561 0644  
[info.uk@pottingeruk.co.uk](mailto:info.uk@pottingeruk.co.uk)  
[www.pottingeruk.co.uk](http://www.pottingeruk.co.uk)

**POETTINGER Canada Inc.**  
650, Route 112  
St-Cesaire, PQ J0L 1T0  
Canada  
Phone +1 450 469 5594  
Fax +1 866 417 1683  
[sales.canada@poettinger.ca](mailto:sales.canada@poettinger.ca)  
[www.poettinger.ca](http://www.poettinger.ca)

**POETTINGER US, Inc.**  
393 Pilot Drive  
Valparaiso, IN 46383  
USA  
Phone +1 219 510-5534  
Fax + 1 219 707-5412  
[sales.us@poettinger.us](mailto:sales.us@poettinger.us)  
[www.poettinger.us](http://www.poettinger.us)

**POETTINGER Australia PTY LTD**  
15 Fordson Road  
Campbellfield, VIC 3061  
Australia  
Phone +61 3 9359 2969  
[sales.au@poettinger.com.au](mailto:sales.au@poettinger.com.au)  
[www.poettinger.com.au](http://www.poettinger.com.au)

**POETTINGER Ireland Ltd.**  
Industrial Estate  
Cashel Rd., Clonmel, Co. Tipperary  
Ireland  
Phone +353 52 6125766  
[info.ie@poettinger.at](mailto:info.ie@poettinger.at)  
[www.poettinger.ie](http://www.poettinger.ie)

**Importer for New Zealand:**  
**Origin Agroup**  
PO Box 673, 57 Hautapu Road  
Cambridge  
New Zealand  
Phone +64 7 823 7582  
[info@originagroup.co.nz](mailto:info@originagroup.co.nz)  
[www.originagroup.co.nz](http://www.originagroup.co.nz)

**Importer for South Africa:**  
**VALTRAC**  
Cnr. Water & Buiten Street  
9585 Parys  
South Africa  
Phone +27 56 817 7338 7308  
[wynn@valtrac.co.za](mailto:wynn@valtrac.co.za)  
[www.valtrac.co.za](http://www.valtrac.co.za)

